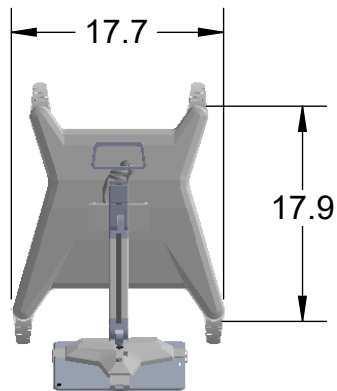
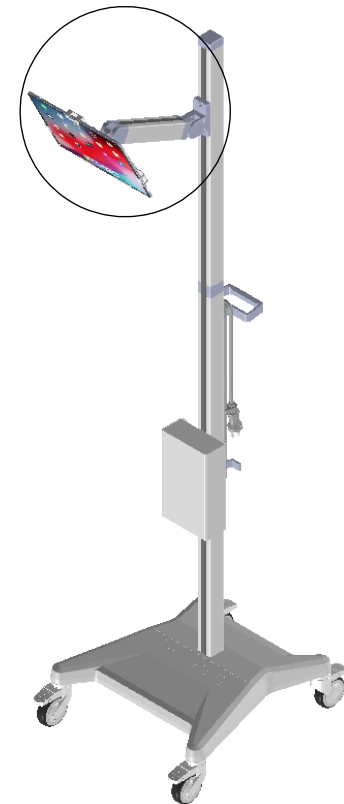
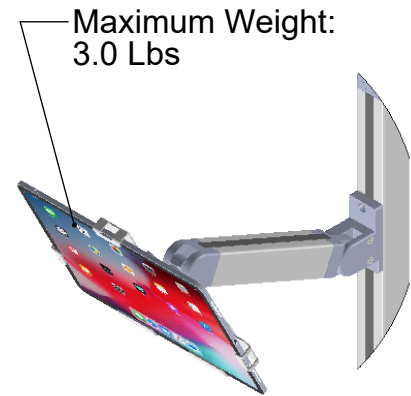


Large Utility Box  
Inside Dimensions  
8.6" x 5" x 2.2"



Power cord not included,  
shown for illustration purposes only



www.tryten.com  
Information in this document is for reference only.

MODEL: Nova Neo NICU  
Telehealth

NUMBER: T2800