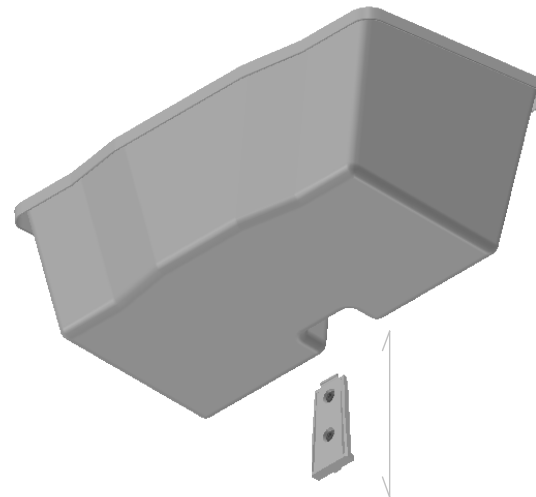
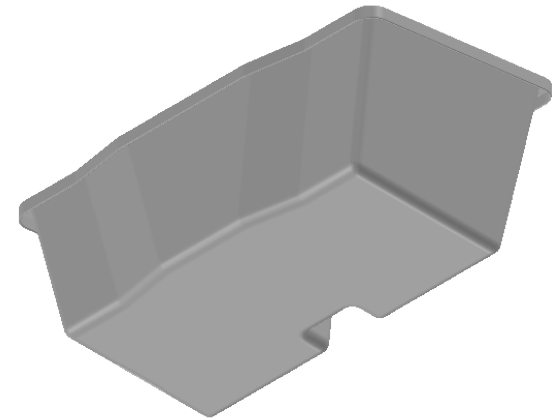
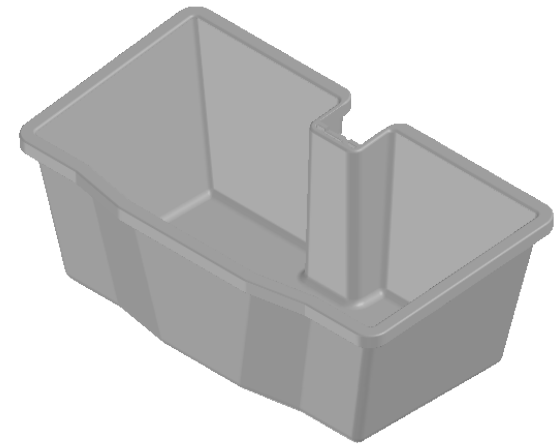


Quick Release
for
Cleaning &
Sterilization



www.tryten.com
Information in this document is for reference only.

MODEL: Supply Caddy

NUMBER: T2552